

PD-155C

PD-155SS

**MATCO
NORCA™**

PD-155MB

Single Handle Industrial Kitchen Faucet

Product Spec Sheet



FEATURES & BENEFITS

- This Product Contains Less Than 0.25% Weighted Average Lead Content On Wetted Surfaces
- Metal Lever Handle
- Ceramic Cartridge
- Optional Deck Plate Included
- Max Flow Rate 1.8GPM(6.8L/Min) At 60PSI (ASME A112.18.1/A112.18.1)

PD-155C
Chrome Finish

PD-155SS
Stainless Steel Finish

PD-155MB
Matte Black Finish

Approvals:

Meets or Exceeds The Following:

- * ANSI/ASME A112.18.1/A112.18.1
- * NSF/ANSI 61 - Sec. 9
- * NSF/ANSI 372
- * IAPMO/cUPC
- * NSF/ANSI/CAN 61: $Q \leq 1$



TEL: 800-431-2082

FAX: 800-640-2252

Visit Our Web Site : www.matco-norca.com

□ **PD-155C**
 □ **PD-155MB**

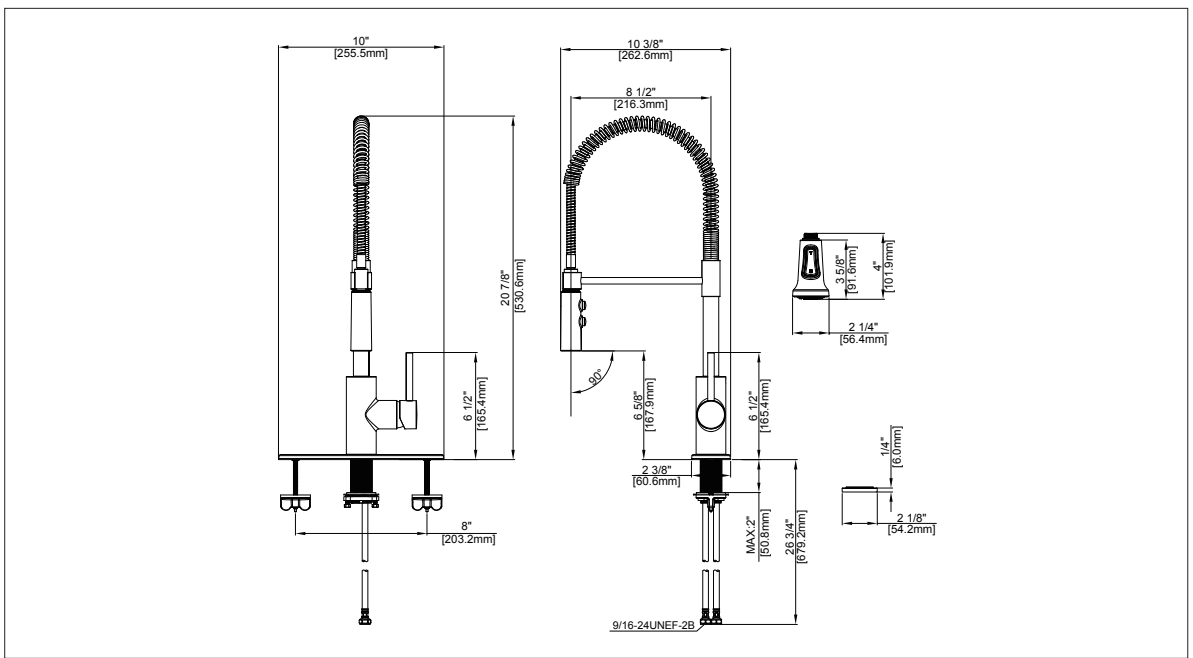
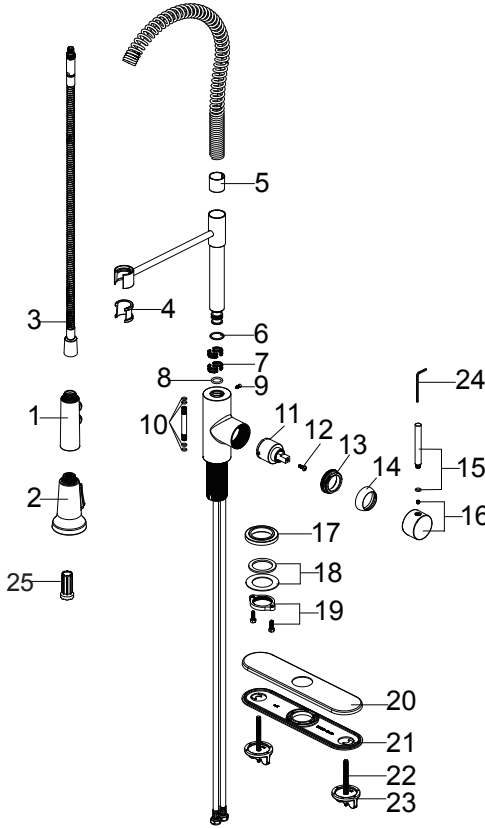
□ **PD-155SS**

MATCO
NORCA

Single Handle Pulldown Kitchen Faucet

No.	Name	Part No.
1	Spray head and Hose / Cabezal rociador y manguera	RP38368*
2	Spray head and Hose/ Cabezal rociador y manguera	RP38369*
3	Hose / Manguera	RP38320*
4	Inverter / Invertidor	RP64201
5	Washer / Arandela	RP64242
6	Washer / Arandela	RP64150
7	Washer / Arandela	RP64050
8	O-ring / Aro tórico	RP60008
9	Screw / Tornillo	RP50206
10	O-ring / Aro tórico	RP60123
11	Cartridge / Cartucho	RP20044
12	Screw / Tornillo	RP50015
13	Bonnet / Bonete	RP70548
14	Cap / Tapa	RP80132*
15	Handle / Llave	RP13334*
16	Handle Seat / Asiento de la llave	RP17171*
17	Flange / Brida	RP80580*
18	Rubber washer & Metal Washer / Arandela de goma y Arandela metálica	RP64241
19	Nut & Screw / Tuerca y Tornillo	RP56123
20	Escutcheon / Placa protectora	RP80445*
21	Gasket / Junta	RP80581
22	Bolt / Perno	RP50071
23	Mounting Nut / Tuerca de montaje	RP56109
24	Hex Allen Wrench / Hex Llave Allen	RP70221
25	Plastic wrench / Llave de plástico	RP70434

* Specify Finish
 * Especifique el Acabado



Product Spec Sheet